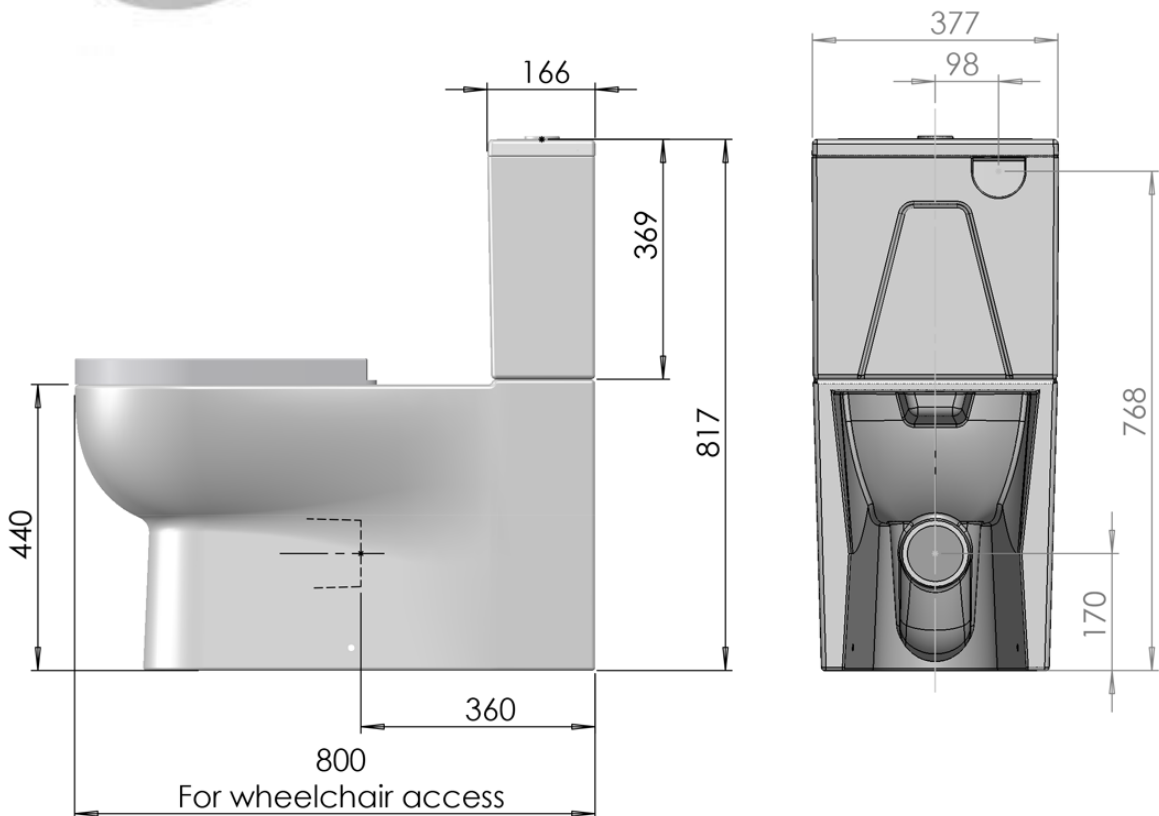




## FEATURES

- 4 star WELS rating
  - Concealed floor fixings
  - Ceramic white pan
- 
- WELS Registered Model Name – Big Comfort Ambulant
  - WELS Registration Number – L04245
  - WELS 4, 3.3L/min



meco international pty ltd.

[meco.com.au](http://meco.com.au)

for all sales & product inquiries email [sales@meco.com.au](mailto:sales@meco.com.au) or call (02) 9618 6999

\*all measurements are subject to accepted manufacturing tolerances. please check actual product dimensions prior to installation. meco international pty ltd reserves the right to change specifications at any time without giving prior notification.